



**SOF NATIONAL CYBER OLYMPIAD SYLLABUS**

Total Questions : 50

Time : 1 hr.

PATTERN & MARKING SCHEME			
Section	(1) Logical Reasoning	(2) Computers & IT	(3) Achievers Section
No. of Questions	10	35	5
Marks per Ques.	1	1	3

**Section – 1 :** Verbal and Non-Verbal Reasoning.

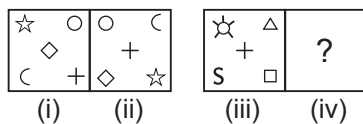
**Section – 2 :** Fundamentals of Computer, Evolution of Computers, Memory & Storage Devices, Algorithms & Flowcharts (Introduction and Basic Symbols), Using Windows 10, MS-Word(Links, Mail Merge, Macros, Exploring Styles group), MS-PowerPoint (Working with Slides Master and Themes, Advancing slides using Hyperlink and Actions, Customizing Slide Shows), MS-Excel (Components of MS-Excel window, Editing and formatting cells in a worksheet, Introduction to Formulas, Sorting and filtering data, Macros, Features of Insert and Page layout tabs), Programming in QBasic, Internet & Viruses, Networking, Latest Developments in the Field of IT.

**Section – 3 :** Higher Order Thinking Questions - Syllabus as per Section – 2.

Questions are based on Windows 10 and MS-Office 2016.

**LOGICAL REASONING**

1. There is a certain relationship between fig. (i) and (ii). Establish the same relationship between fig. (iii) and (iv) by selecting a suitable figure from the options which will replace the (?) in fig. (iv).



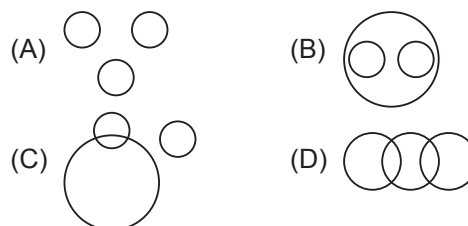
- (A) (B) (C) (D)

2. Mohit starting from a fixed point goes 15 m towards North and then after turning to his

right he goes 15 m. Then he goes 10 metres, 15 metres and 15 metres after turning to his right each time. How far is he from his starting point?

- (A) 20 metres (B) 5 metres  
(C) 10 metres (D) 15 metres

3. Which of the following Venn Diagrams best represents the relationship amongst, “Mobiles, Televisions and Electronic items”?



**COMPUTERS AND INFORMATION TECHNOLOGY**

4. Which of the following parts of File Explorer allows you to find documents, images, programs, etc. in Windows 10?

- (A) Status box  
(B) Preview box  
(C) Search box  
(D) Details box

5. \_\_\_\_\_ feature of MS-PowerPoint 2016 allows you to show only the selected slides from the entire presentation.

- (A) Themes  
(B) Hyperlink  
(C) Action  
(D) Custom Slide Show

6. A browser is an interactive program that permits a user to view web pages on the computer. The browser performs which of the following services?

- (A) Connecting to the source computer whose address is specified  
(B) Requesting new page from the server  
(C) Receiving new page  
(D) All of these

7. Twisted pair cables \_\_\_\_\_.

- (A) Provides protection against noise  
(B) Provides protection against crosstalk  
(C) Are used in telephone lines  
(D) All of these

8. \_\_\_\_\_ group of Home tab allows to preview, manage and customize the text styles in MS-Word 2016.


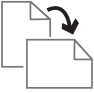

- (A) Themes
- (C) Styles

- (B) Text
- (D) Format

**ACHIEVERS SECTION**

9. Match the following icons given in Column-I with their descriptions given in Column-II with respect to MS-Excel 2016.

- (A) (a)-(ii), (b)-(i), (c)-(iii)
- (B) (a)-(i), (b)-(ii), (c)-(iii)
- (C) (a)-(iii), (b)-(ii), (c)-(i)
- (D) (a)-(i), (b)-(iii), (c)-(ii)

	<b>Column-I</b>	<b>Column-II</b>	
(a)		(i) Change page orientation	10. What would be the output of the following program in QBASIC? X\$ = MID\$ ("National Cyber Olympiad", 10, 5) PRINT X\$ (A) Cyber (B) National (C) Natio (D) Olympiad
(b)		(ii) Set the margin sizes	
(c)		(iii) Add a break	

**SPACE FOR ROUGH WORK**

**ANSWERS**

1. (C)    2. (A)    3. (B)    4. (C)    5. (D)    6. (D)    7. (D)    8. (C)    9. (A)    10. (A)